

REEL STAND 108

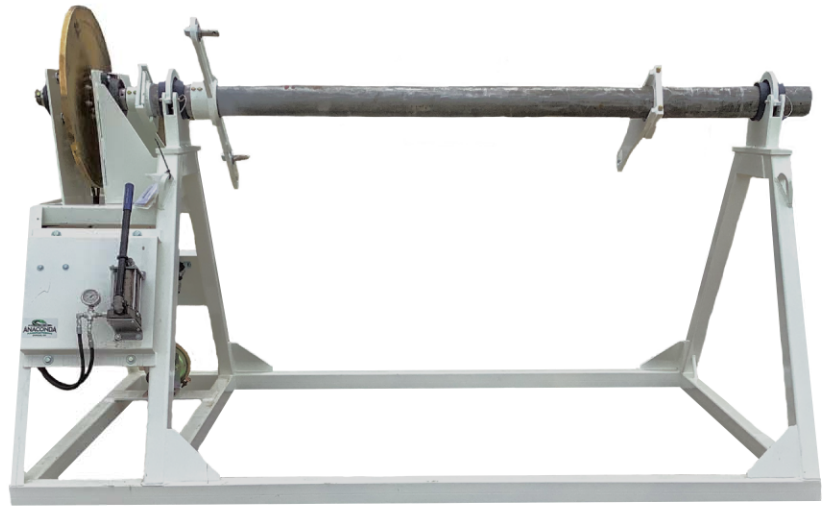


DESCRIPTION:

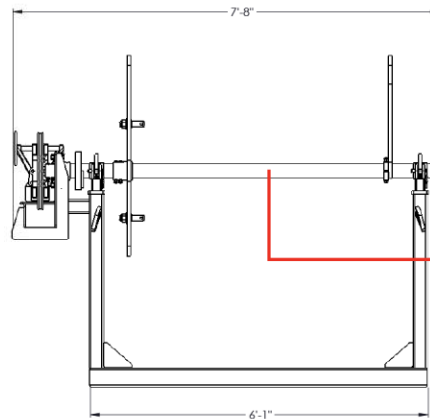
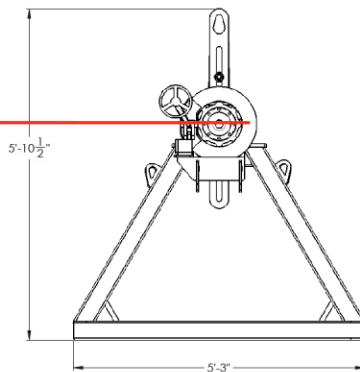
The Anaconda Manufacturing 108 reel stand features a corrosion resistant bronze brake disc for smooth payout. Well suited for transmission applications.

FEATURES:

- Quick change reel and spindle
- 28" dia. bronze brake disc
- Hydraulically actuated caliper
- Remote air actuated caliper



CORROSION RESISTANT BRONZE BRAKE DISC



**NO TOOLS REQUIRED
FOR REEL REMOVAL**

SPECIFICATIONS

Reel Stand Weight	Max Reel Weight	Max Reel Diameter	Max Reel Width	Spindle Diameter
1,800 lbs	20,000 lbs	108"	85"	5"

3600 South 13th Street
Duncan, OK 73533
405-394-0249

