

# REEL STAND 84

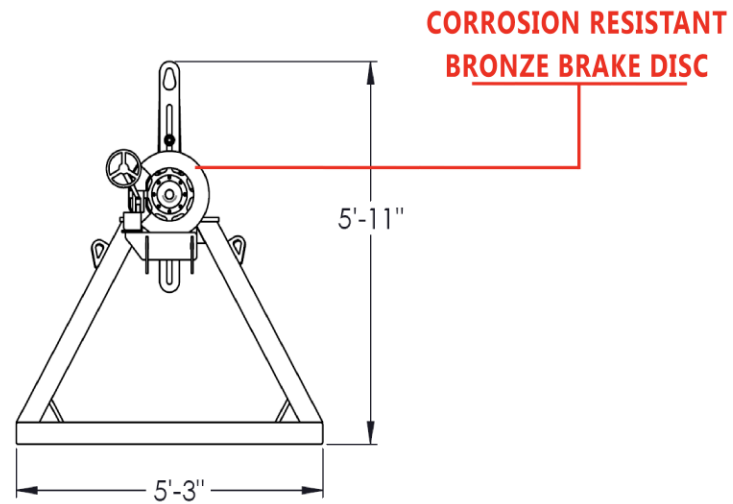
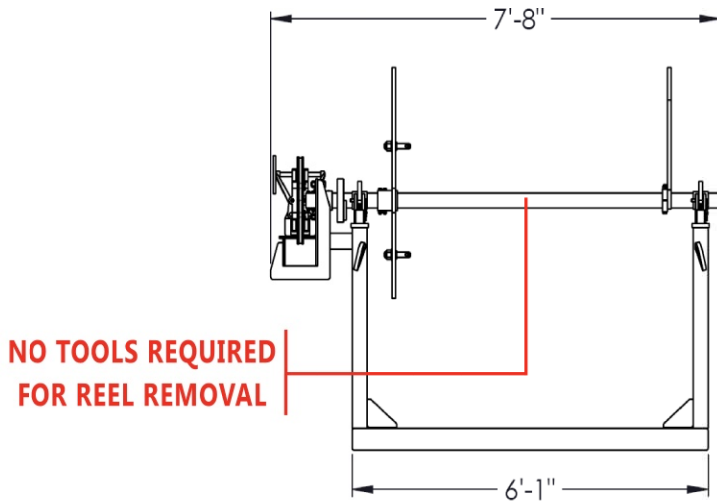
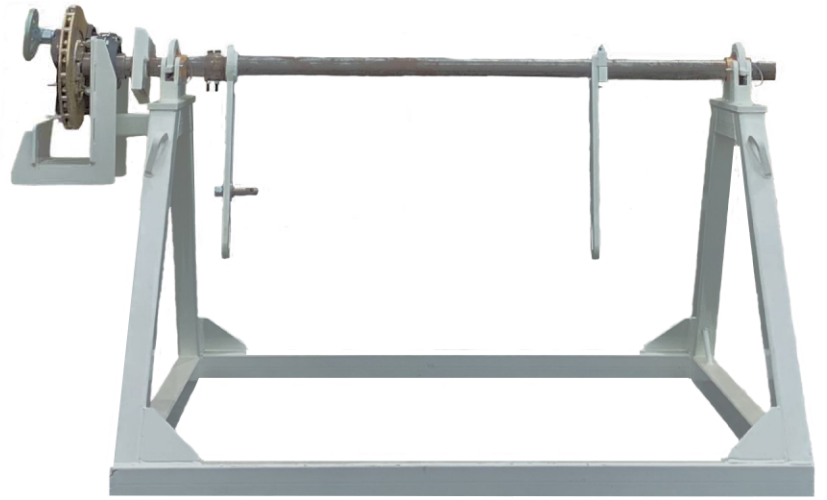


## DESCRIPTION:

The Anaconda Manufacturing 84 reel stand features a corrosion resistant bronze brake disc for smooth payout. Well suited for transmission applications.

## FEATURES:

- Quick change reel and spindle
- 16" dia. bronze brake disc
- Mechanically actuated caliper



## SPECIFICATIONS

Reel Stand Weight	Max Reel Weight	Max Reel Diameter	Max Reel Width	Spindle Diameter
845 lbs	8,000 lbs	84"	54"	2-3/4"

3600 South 13th Street  
 Duncan, OK 73533  
 405-394-0249

